

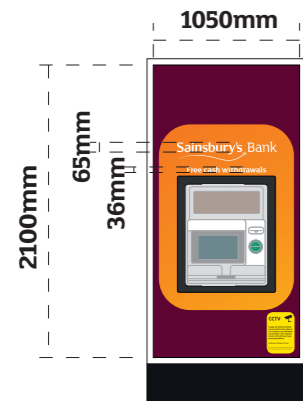


Photo of existing

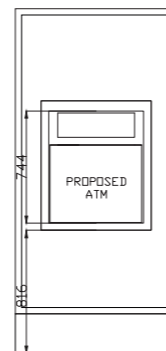


Proposed external elevation

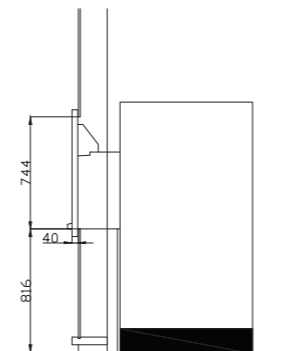
ATM set into shop front with lozenge surround. New plum vinyl applied internally to glazing.



Proposed signage detail
1:50@A3
Digitally printed graphic
White text 255/255/255
New plum



Proposed ATM front elevation
1:50@A3



Proposed ATM side cross section
1:50@A3



NOTES	REV	REVISIONS	DATE	REV	REVISIONS	DATE	ORIGINATOR RDS/RG	AUTHORISED SH	PROJECT EAST BOLDON ATM PLANNING PROPOSAL
	1#	Initial Layout.	01.06.16				DATE 01.06.16	SCALE 1:50 @A3	ADDRESS 3 STATION TERRACE, EAST BOLDON, NE36 0LJ
							DRAWING NUMBER 4630G04-ATM	REVISION 1#	

